



DC Blower fan

AG4510B 45*45*10mm

Motor:DC

Bearing:Ball、sleeve、Hydraulic

Shell frame: PBT UL94V-0

Fan blade: PBT UL94V-0

Insulation:Class B

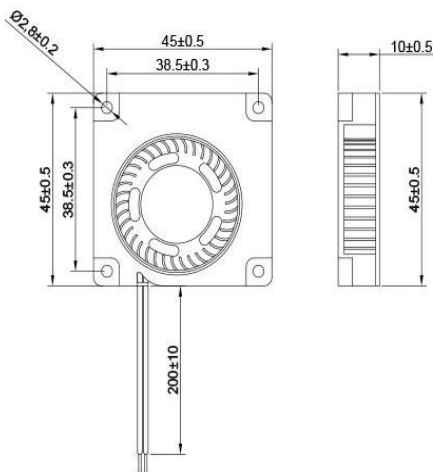
Wire:AWG#26UL1007 (optional)

PIN1:BLACK WIRE---(-)

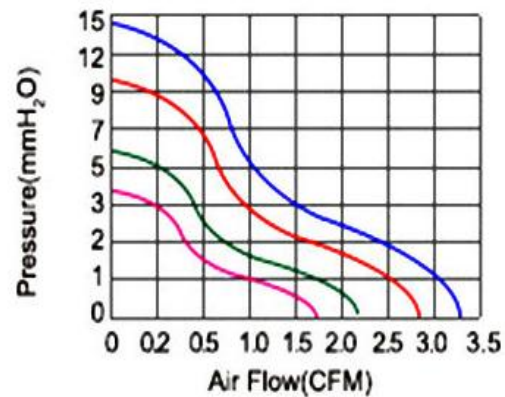
PIN2:RED WIRE---(+)



DIMENSIONS DRAWING(unit:mm)



P@Q CURVE(AT RATED VOLTAGE)



Model	Bearing Mode①	Rated	Operating	Rated	Rated	Speed	Maximum		Maximum		Noise
		Volt	voltage range	current	input power		air Flow	Air pressure	mmH2O	InH2O	
PART. NO.		VDC	VDC	Amp	Watt	R. P. M	M3/min	CFM	mmH2O	InH2O	dB-A
AG4510B05L	B=Ball S=Sleeve H=Hydraulic	5	2.5~6.5	0.11	0.55	4000	0.047	1.92	4.74	0.051	25.9
AG4510B05M		5	4~5.5	0.14	0.70	4500	0.061	2.15	5.78	0.228	27.0
AG4510B05H		5	4~5.5	0.17	0.85	5500	0.078	2.75	9.72	0.383	30.5
AG4510B05HH		5	4~5.5	0.2	1.00	6500	0.093	3.28	14.09	0.555	35.5
AG4510B12L		12	7~13.5	0.05	0.60	3500	0.047	1.66	3.11	0.051	21.5
AG4510B12M		12	7~13.5	0.07	0.84	4500	0.061	2.15	5.78	0.228	27.0

AG4510B12H	B=Ball	12	7~13.5	0.09	1.08	5500	0.078	2.75	9.72	0.383	30.5
AG4510B12HH	S=Sleeve H=Hydraulic	12	7~13.5	0.11	1.32	6500	0.093	3.28	14.09	0.555	35.5

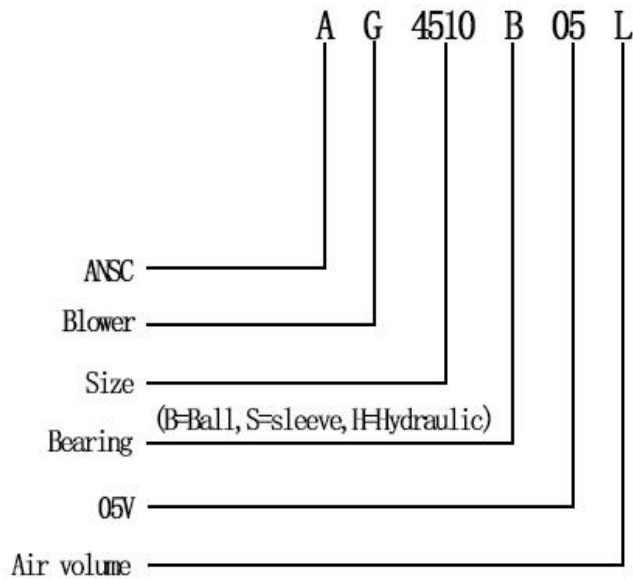
①Bearing Mode:Ball/ Sleeve/Hydraulic/Ball (UL)/Sleeve (UL)Hydraulic (UL)

②X=Function: FG RD RDL LD PWM TP VC RC CS RP SS AS CL IPX5

③A=Plug

④C=Customized by customers: Air volume, Air duct, Movement, Service life, Temperature, Noise, Material, Mold.etc.

导引: 编码规则Code Rule



*PROPRIETARY AND CONFIDENTIAL , THE INFORMATION CONTAINED IN THIS DRAWING IS THE SOLE PROPERTY OF <ALL NEW SEMI>. ANY REPRODUCTION IN PART OR AS A WHOLE WITHOUT THE WRITTEN PERMISSION OF <ALL NEW SEMI> IS PROHIBITED.

<https://allnewsemi.com>
<https://allnewsemi.shop>