



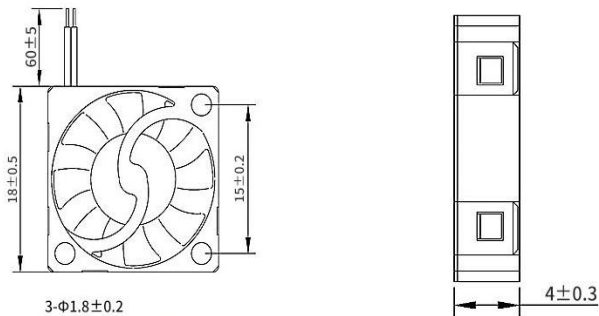
DC BRUSHLESS FAN

AF9D1804H 18*18*4mm

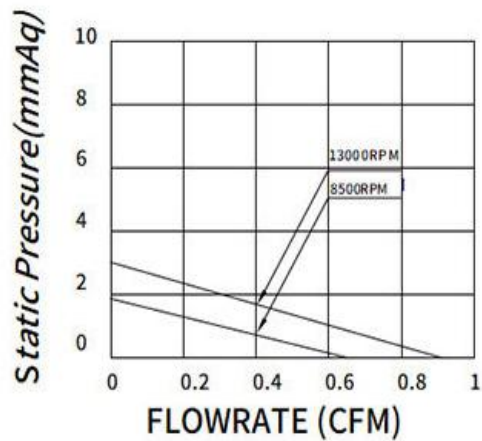
Motor:DC Brushless
 Bearing:Hydraulic
 Shell frame: PBT UL94V-0
 Fan blade: PBT UL94V-0
 Insulation:Class B
 Wire:AWG#26UL1007 (optional)
 PIN1:BLACK WIRE---(-)
 PIN2:RED WIRE---(+)



DIMENSIONS DRAWING(unit:mm)



P@Q CURVE(AT RATEDVOLTAGE)



Model	Bearing Mode①	Rated Voltage	Operating voltage	Rated current	Rated input power	Speed	Maximum air Flow		Maximum Air pressure		Noise	
		VDC	VDC	Amp	Watt		R. P. M	M3/min	CFM	mmH20		InH20
PART. NO.												
AF9D1804H3. 3L	B=Ball S=Sleeve H=Hydraulic	3.3	2~6	0.03	0.10	8500	0.018	0.65	1.95	0.077	<25	
AF9D1804H05L		5	2~6	0.03	0.15	16000	0.025	1.11	4.31	0.138	34.6	

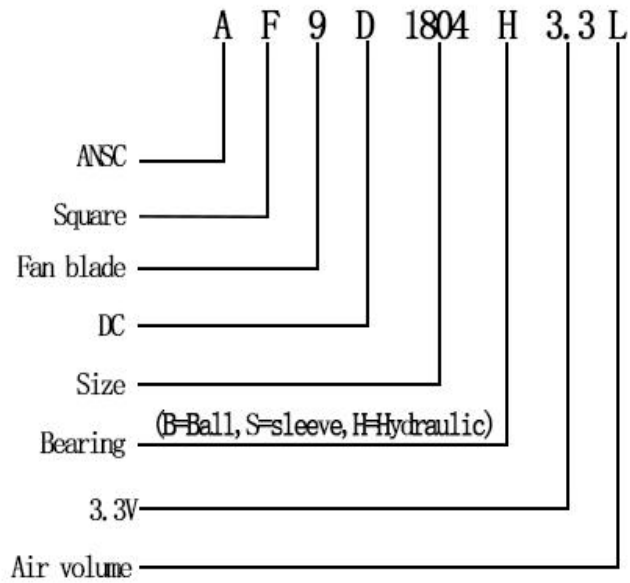
①Bearing Mode:Ball/ Sleeve/Hydraulic/Ball (UL)/Sleeve (UL)Hydraulic (UL)

②X=Function: FG RD RDL LD PWM TP VC RC CS RP SS AS CL IPX5

③A=Plug

④C=Customized by customers: Air volume, Air duct, Movement, Service life, Temperature, Noise, Material, Mold.etc.

导引：编码规则Code Rule



*PROPRIETARY AND CONFIDENTIAL , THE INFORMATION CONTAINED IN THIS DRAWING IS THE SOLE PROPERTY OF <ALL NEW SEMI>.
ANY REPRODUCTION IN PART OR AS A WHOLE WITHOUT THE WRITTEN PERMISSION OF <ALL NEW SEMI> IS PROHIBITED.

<https://allnewsemi.com>
<https://allnewsemi.shop>