



AC BRUSHLESS FAN

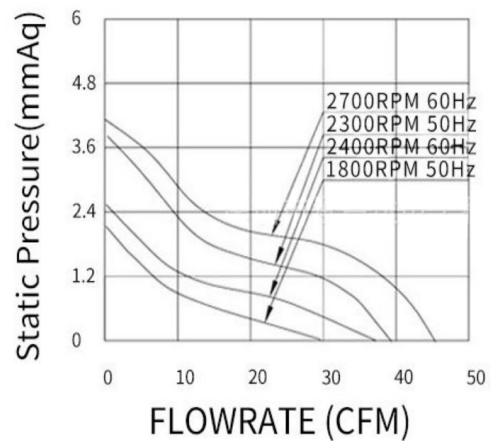
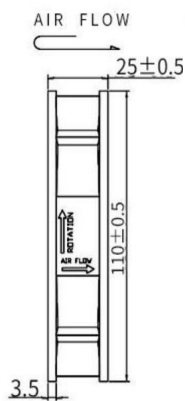
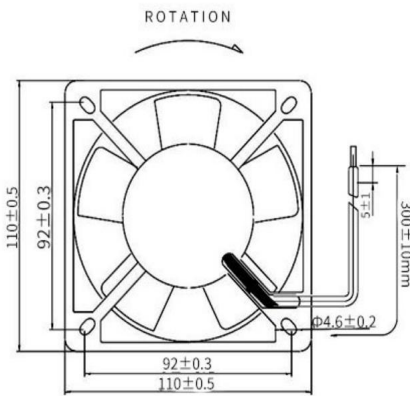
AF5A11025B 110*110*25mm

Motor: AC Brushless
 Bearing: Ball
 Shell frame: Aluminium Alloy
 Fan blade: PBT UL94V-0
 Insulation: Class B
 Wire: AWG#26UL1007 (optional)
 PIN1: BLACK WIRE---(-)
 PIN2: RED WIRE---(+)



DIMENSIONS DRAWING(unit:mm)

P@Q CURVE(AT RATED VOLTAGE)



Model	Bearing Mode ^①	Rated Vol	Operating voltag	Rated current	Rated input power	Speed	Maximum air Flow		Maximum Air pressure		Noise
PART. NO.		VAC	VAC	Amp	Watt	R. P. M	M3/min	CFM	mmH20	InH20	dB-A
AF5A11025B110M	B=Ball S=Sleeve H=Hydraulic	110	100~125	1.1/1.27	17/15	2300/2700	3.9/4.1	39/45	0.15/0.16	0.1	35/37
AF5A11025B110L		110	100~125	0.85/1.05	12/10	1800/2400	2.2/2.5	30/37	0.09/0.1	0.07	30/35
AF5A11025B220M		220	220~240	1.1/1.27	17/15	2300/2700	3.9/4.1	39/45	0.15/0.16	0.15	35/37
AF5A11025B220L		220	220~240	0.85/1.05	12/10	1800/2400	2.2/2.5	30/37	0.09/0.1	0.1	30/35

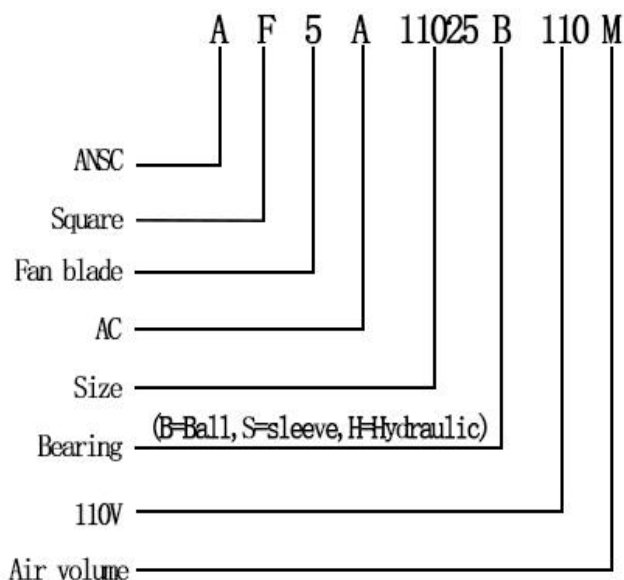
①Bearing Mode: Ball/ Sleeve/Hydraulic/Ball (UL)/Sleeve (UL) Hydraulic (UL)

②X=Function: FG RD RDL LD PWM TP VC RC CS RP SS AS CL IPX5

③A=Plug

④C=Customized by customers: Air volume, Air duct, Movement, Service life, Temperature, Noise, Material, Mold. etc.

导引：编码规则Code Rule



*PROPRIETARY AND CONFIDENTIAL , THE INFORMATION CONTAINED IN THIS DRAWING IS THE SOLE PROPERTY OF <ALL NEW SEMI>.
ANY REPRODUCTION IN PART OR AS A WHOLE WITHOUT THE WRITTEN PERMISSION OF <ALL NEW SEMI> IS PROHIBITED.

<https://allnewsemi.com>
<https://allnewsemi.shop>