

1-640519-0 ✓ ACTIVE

AMP | AMP Miniature Rectangular MR

TE Internal #: 1-640519-0

4 Position, Plug, Housing, Crimp, Wire-to-Board / Wire-to-Panel / Wire-to-Wire, UL 94V-0, 4.2 mm [.165 in] Centerline, AMP Miniature Rectangular MR

[View on TE.com >](#)



Connectors > Rectangular Connectors > Standard Rectangular Connectors



Connector Product Type: **Housing**

Mating Alignment: **With**

Mating Alignment Type: **Polarization**

Connector & Housing Type: **Plug**

Mating Retention Type: **Positive Lock**

Features

Product Type Features

Connector Product Type	Housing
Connector & Housing Type	Plug
Connector System	Wire-to-Board, Wire-to-Panel, Wire-to-Wire
Sealable	No
Connector & Contact Terminates To	Wire & Cable

Configuration Features

Number of Positions	4
Number of Rows	2
Number of Power Positions	0
Number of Signal Positions	3

Electrical Characteristics

Operating Voltage	250 VAC
-------------------	---------

Body Features

Primary Product Color	Black
-----------------------	-------

Contact Features

Contact Layout	Matrix
Contact Retention Within Housing	With
Contact Type	Socket
Contact Current Rating (Max)	9 A

Termination Features

Termination Method to Wire & Cable	Crimp
------------------------------------	-------

Mechanical Attachment

Panel Mount Feature	Without
Mating Alignment	With
Mating Alignment Type	Polarization
Mating Retention Type	Positive Lock
Mating Retention	With
Connector Mounting Type	Panel Mount

Housing Features

Centerline (Pitch)	4.2 mm [.165 in]
Housing Material	PA 66

Dimensions

Panel Thickness (Recommended)	1.73 mm [.068 in]
Compatible Insulation Diameter Range	2.92 mm [.115 in]
Connector Width	17.15 mm [.675 in]
Connector Height	12.95 mm [.51 in]
Connector Length	21.34 mm [.84 in]
Row-to-Row Spacing	4.19 mm [.165 in]
Wire Size	.12 – .8 mm ²

Usage Conditions

Operating Temperature Range	-55 – 85 °C [-67 – 185 °F]
-----------------------------	----------------------------

Operation/Application

Circuit Application	Power & Signal
---------------------	----------------

Industry Standards

Compatible With Agency/Standards Products	CSA, UL
---	---------



UL Rating	Recognized
Compatible With Approved Standards Products	UL E28476
CSA Rating	LR 7189
UL Flammability Rating	UL 94V-0
Glow Wire Rating	Standard Part - Not Glow Wire

Packaging Features

Packaging Quantity	1800
Packaging Method	Box

Product Compliance

[For compliance documentation, visit the product page on TE.com>](#)

EU RoHS Directive 2011/65/EU	Compliant
EU ELV Directive 2000/53/EC	Compliant
China RoHS 2 Directive MIIT Order No 32, 2016	No Restricted Materials Above Threshold
EU REACH Regulation (EC) No. 1907/2006	Current ECHA Candidate List: JUNE 2025 (250) Candidate List Declared Against: JUNE 2025 (250) Does not contain REACH SVHC
Halogen Content	Not Low Halogen - contains Br or Cl > 900 ppm.
Solder Process Capability	Wave solder capable to 240°C

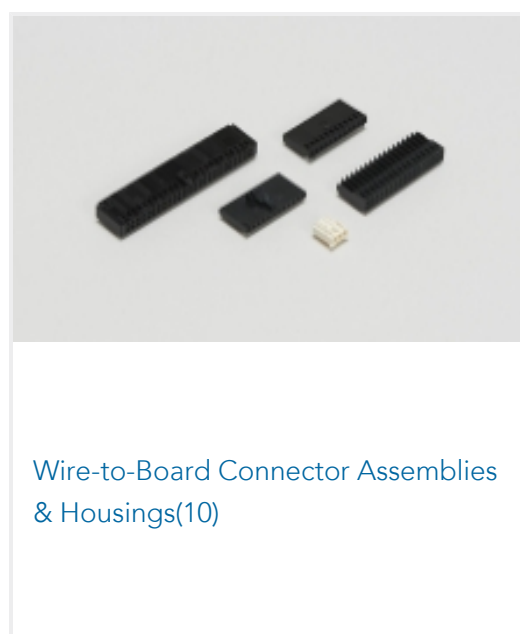
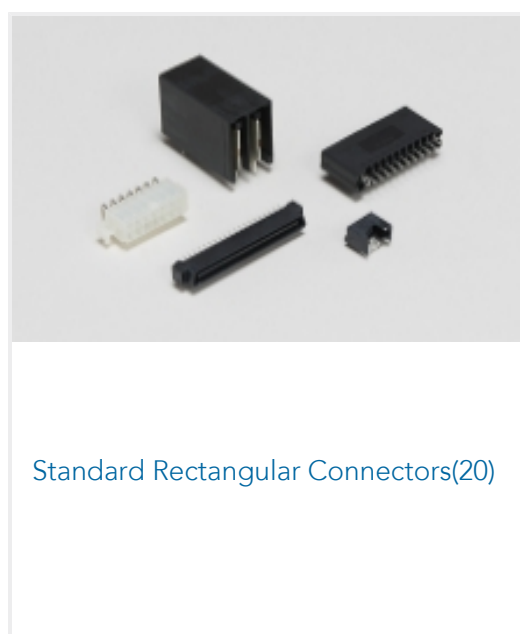
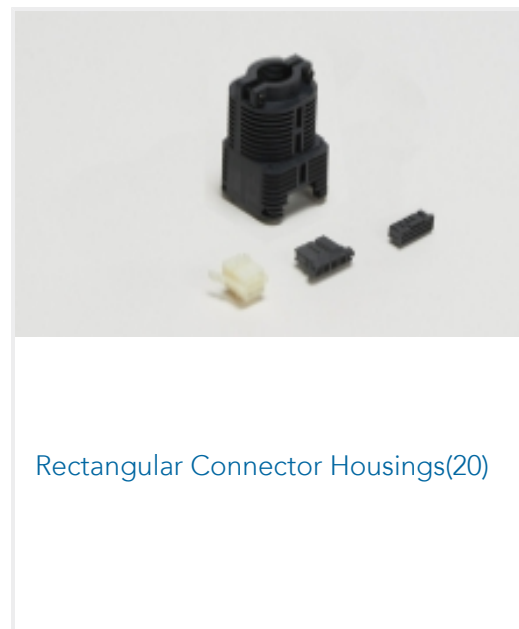
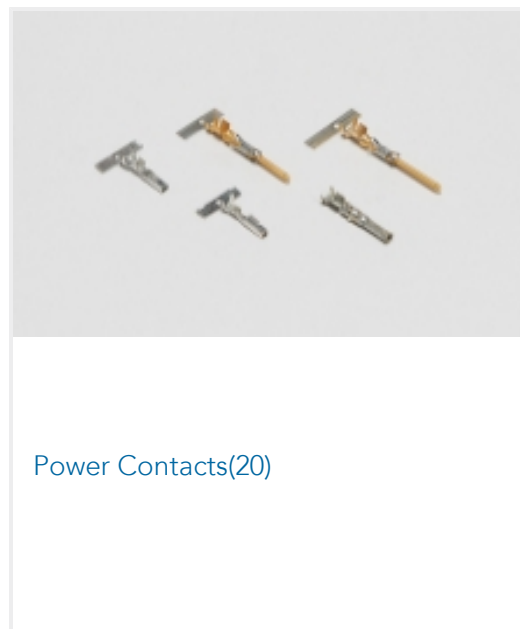
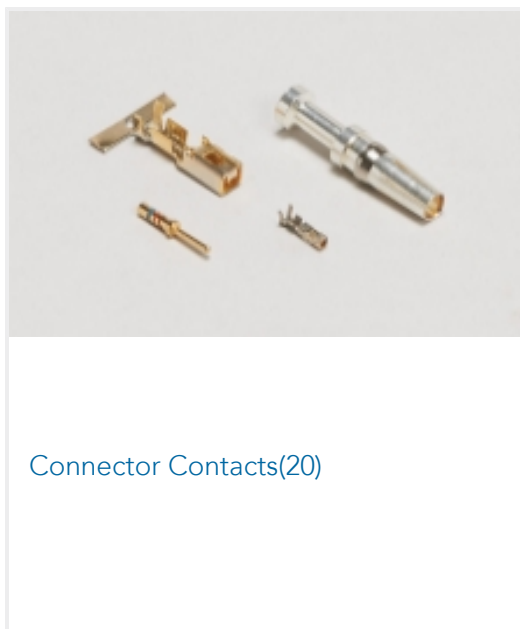
Product Compliance Disclaimer

This information is provided based on reasonable inquiry of our suppliers and represents our current actual knowledge based on the information they provided. This information is subject to change. The part numbers that TE has identified as EU RoHS compliant have a maximum concentration of 0.1% by weight in homogenous materials for lead, hexavalent chromium, mercury, PBB, PBDE, DBP, BBP, DEHP, DIBP, and 0.01% for cadmium, or qualify for an exemption to these limits as defined in the Annexes of Directive 2011/65/EU (RoHS2). Finished electrical and electronic equipment products will be CE marked as required by Directive 2011/65/EU. Components may not be CE marked. Additionally, the part numbers that TE has identified as EU ELV compliant have a maximum concentration of 0.1% by weight in homogenous materials for lead, hexavalent chromium, and mercury, and 0.01% for cadmium, or qualify for an exemption to these limits as defined in the Annexes of Directive 2000/53/EC (ELV). Regarding the REACH Regulation, the information TE provides on SVHC in articles for this part number is based on the latest European Chemicals Agency (ECHA) 'Guidance on requirements for substances in articles' posted at this URL: <https://echa.europa.eu/guidance-documents/guidance-on-reach>

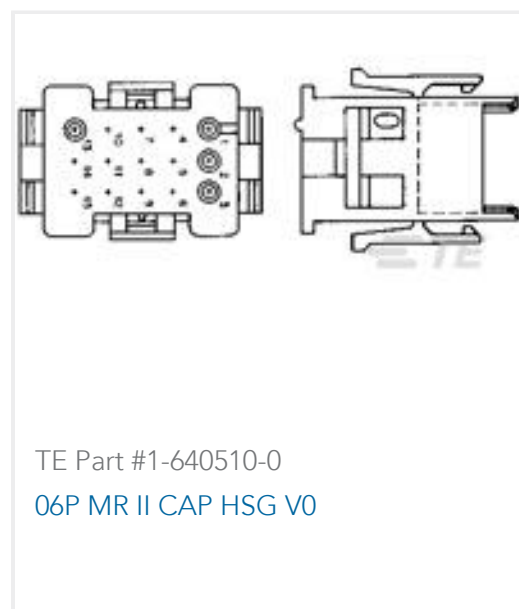
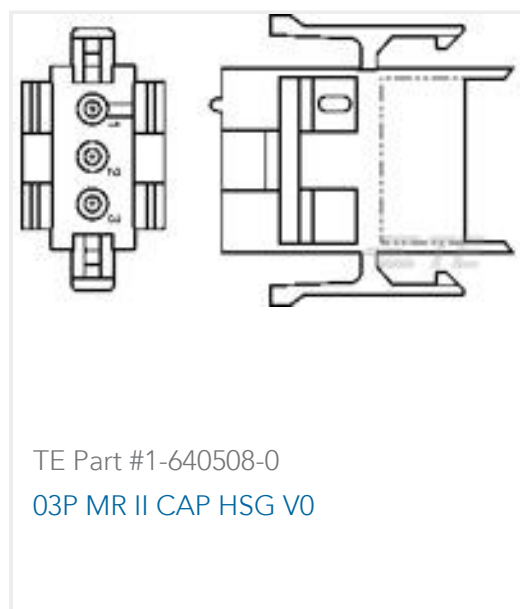
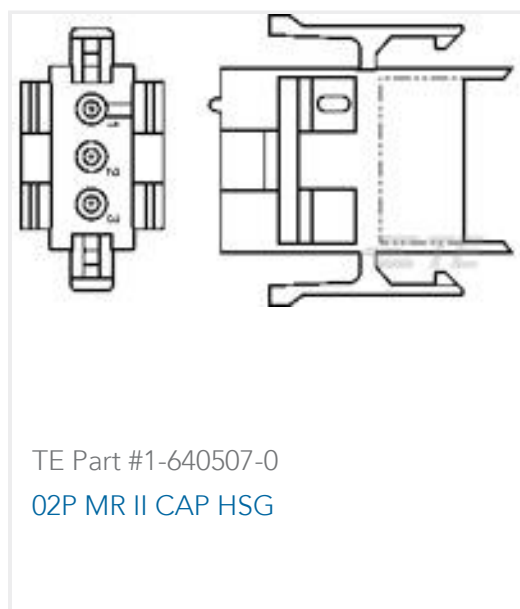
Compatible Parts

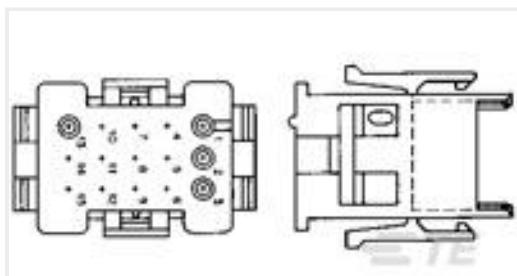


Also in the Series | AMP Miniature Rectangular MR

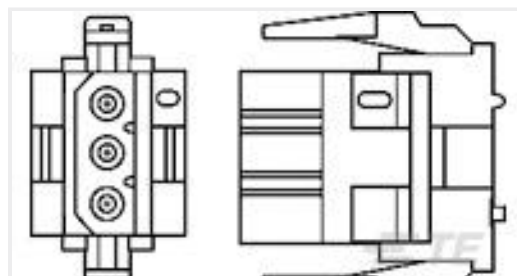


Customers Also Bought

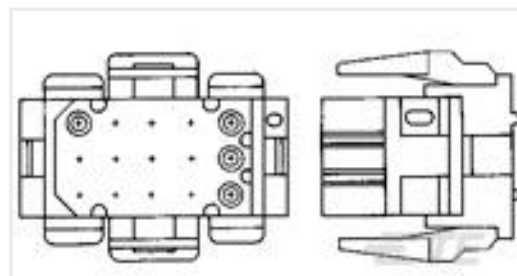




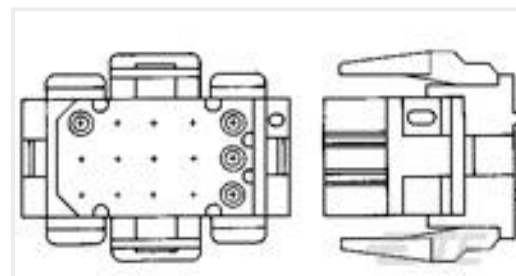
TE Part #1-640513-0
15P MR II CAP HSG V0



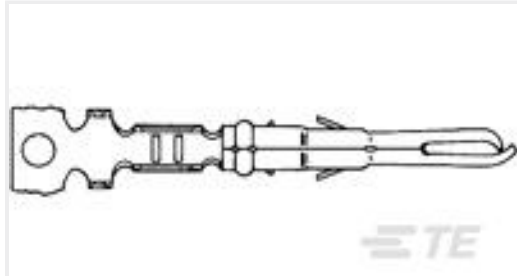
TE Part #1-640518-0
03P MR II PLUG HSG



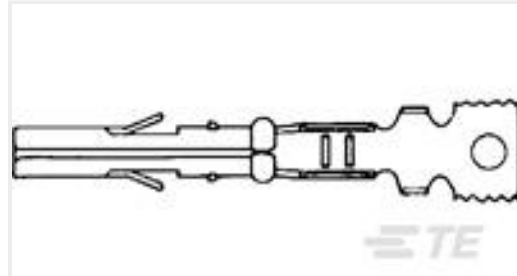
TE Part #1-640521-0
09P MR II PLUG HSG V0



TE Part #1-640523-0
15P MR II PLUG HSG V0



TE Part #640545-2
MR SPLIT PIN 26-18 AUPHBRZ LP



TE Part #641294-1
MR RECPT 26-18 PTPHBZ

Documents

Product Drawings

04P MR II PLUG HSG

English

CAD Files

Customer View Model

[ENG_CVM_1-640519-0_F.3d_igs.zip](#)

English

Customer View Model

[ENG_CVM_1-640519-0_F.3d_stp.zip](#)

English

Customer View Model

[ENG_CVM_1-640519-0_F.2d_dxf.zip](#)

English

3D PDF

English

3D PDF

3D

Customer View Model

[ENG_CVM_CVM_1-640519-0_AF.2d_dxf.zip](#)

English

Customer View Model

[ENG_CVM_CVM_1-640519-0_AF.3d_igs.zip](#)

English

Customer View Model

[ENG_CVM_CVM_1-640519-0_AF.3d_stp.zip](#)

English



By downloading the CAD file I accept and agree to the [Terms and Conditions](#) of use.

Datasheets & Catalog Pages

[SOFT_SHELL_PIN_AND_SOCKET_CONNECTORS_CATALOG](#)

English

Product Specifications

[Quality Specification](#)

Japanese

Instruction Sheets

[Instruction Sheet \(U.S.\)](#)

English

[AMP* MINIATURE RECTANGULAR II \(MRII\) CONNECTORS](#)

English

Agency Approvals

[Agency Approval Document](#)

English